




# Installation Guide

## Yeastar P-Series PBX System

Version: 1.0

Date: 2021-01-20

-  Support: +86-592-5503301
-  Support: [support@yeastar.com](mailto:support@yeastar.com)
-  <https://www.yeastar.com>

# Contents

- About this Guide..... 1**
- Hardware Overview..... 2**
  - Yeastar P550 Overview..... 2
  - Yeastar P560 Overview..... 4
  - Yeastar P570 Overview..... 6
  - Expansion Board..... 7
- Install PBX..... 10**
  - Installation Warnings..... 10
  - Package Contents..... 10
  - Install Yeastar P550..... 11
  - Install Yeastar P560..... 16
  - Install Yeastar P570..... 23
- Connect Your PBX..... 31**
- Change the IP Address of the PBX..... 32**

# About this Guide

This guide describes hardware ports and indicators on Yeastar P-Series PBX System, gives instructions on how to install the PBX and telephony modules, and quickly log in to the PBX web interface.

## **Product covered**

- Yeastar P550
- Yeastar P560
- Yeastar P570

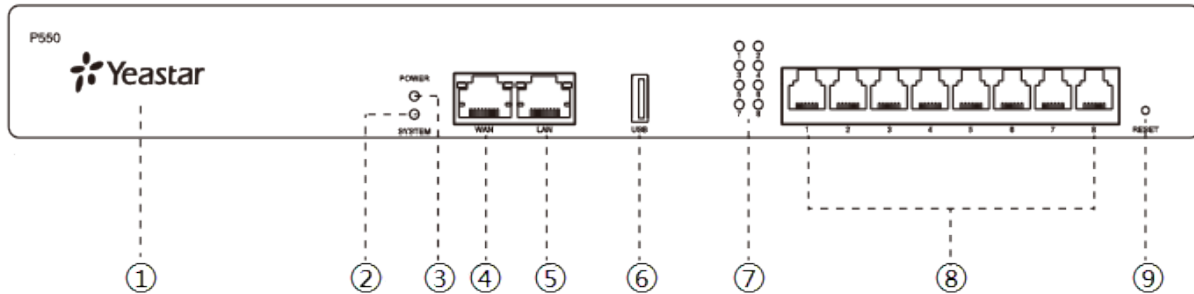
## **Audience**

This guide is intended for the person who is responsible for installing Yeastar P-Series PBX System, and for the administrator who accesses Yeastar P-Series PBX System for the first time.

# Hardware Overview

## Yeastar P550 Overview

### Front panel



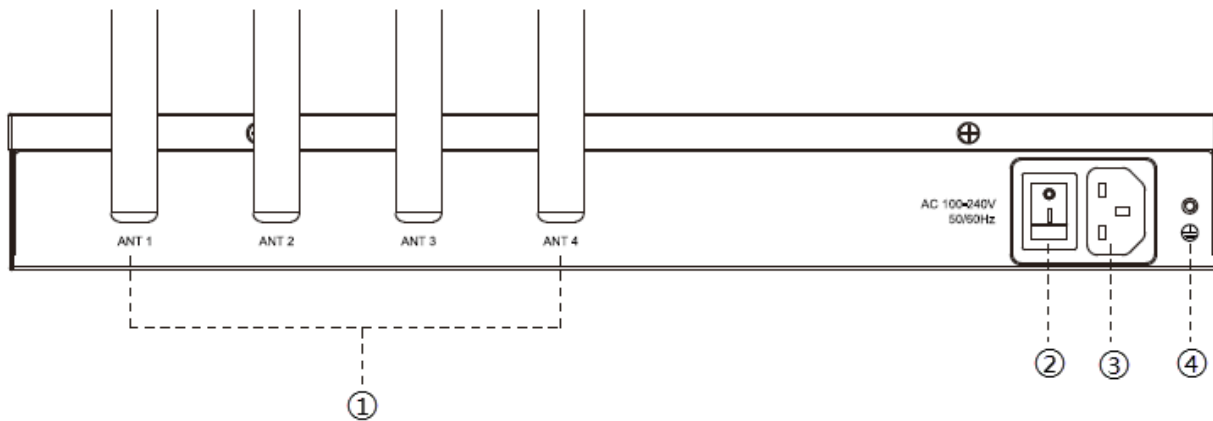
**Table 1.**

No.	Indicator, Button or Interface	Description
#	NFC Tag	<a href="#">Tap NFC-capable mobile phone's back against Yeastar logo to quickly configure network settings.</a>
#	System Indicator	Indicate the system status. <ul style="list-style-type: none"> <li>• <b>Blinking:</b> The system is working properly.</li> <li>• <b>Static/Off:</b> The system goes wrong.</li> </ul>
#	Power Indicator	Indicate the power status.
#	WAN Status Indicator	Indicate the WAN status.
#	LAN Status Indicator	Indicate the LAN status.
#	USB Slot	Insert a USB flash drive to store voicemails, logs, or recording files.
#	1-8 LED (RJ11 port status)	Indicate the ports' status. <ul style="list-style-type: none"> <li>• <b>FXS:</b> <ul style="list-style-type: none"> <li># <b>Green: static:</b> The analog phone or fax machine is idle.</li> <li># <b>Green: blinking:</b> The analog phone or fax machine is busy.</li> </ul> </li> <li>• <b>GSM/3G/4G LTE:</b> <ul style="list-style-type: none"> <li># <b>Red: static:</b> The GSM/3G/4G LTE trunk is idle.</li> <li># <b>Red: blinking slowly:</b> No SIM card.</li> </ul> </li> </ul>

**Table 1. (continued)**

No.	Indicator, Button or Interface	Description
		<p># <b>Red: blinking rapidly</b>: The GSM/3G/4G LTE trunk is in use.</p> <ul style="list-style-type: none"> <li>• <b>BRI</b>:                     <ul style="list-style-type: none"> <li># <b>Orange: static</b>: The BRI line is connected or in use.</li> <li># <b>Orange: blinking</b>: The BRI line is disconnected.</li> </ul> </li> <li>• <b>FXO</b>:                     <ul style="list-style-type: none"> <li># <b>Red: static</b>: The PSTN line is idle.</li> <li># <b>Red: blinking slowly</b>: No PSTN line is connected to the FXO port.</li> <li># <b>Red: blinking rapidly</b>: The PSTN line is busy.</li> </ul> </li> </ul>
#	1-8 port (RJ11 ports)	<ul style="list-style-type: none"> <li>• <b>FXS port</b> (green light): For the connection of analog phones or fax machines.</li> <li>• <b>BRI port</b> (orange light): For the connection of ISDN BRI lines.</li> <li>• <b>FXO port</b> (red light): For the connection of PSTN lines or FXS ports of traditional PBX.</li> </ul>
#	Reset button	Press the button to restore to factory defaults.

**Rear panel**



**Table 2.**

No.	Button or Interface	Description
#	Antenna Socket	Rotate the antenna into the Antenna Socket.
#	Power Switch	Press this button to switch on/off the device.
#	Power Inlet	Connect the supplied power supply to the port.

**Table 2. (continued)**

No.	Button or Interface	Description
#	Protective Earth	Connect to the ground to reduce the risk of electrocution to the user or protect the PBX from bad effects of external noise in case of a lightning strike.

## Yeastar P560 Overview

### Front panel

Yeastar P560 supports 1 expansion board. You can install either EX08 board or EX30 board according to your needs.

Figure 1. Yeastar P560 front panel with an EX08 expansion board

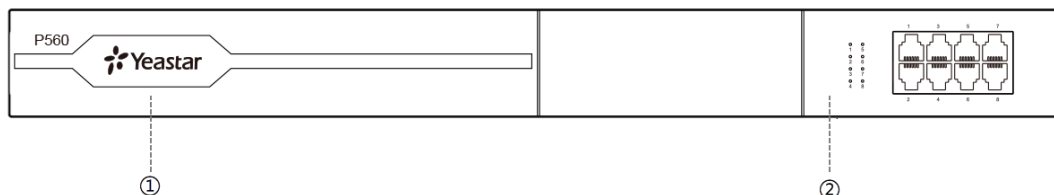
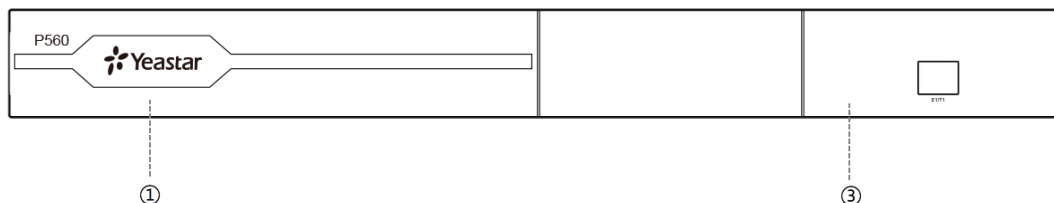


Figure 2. Yeastar P560 front panel with an EX30 expansion board



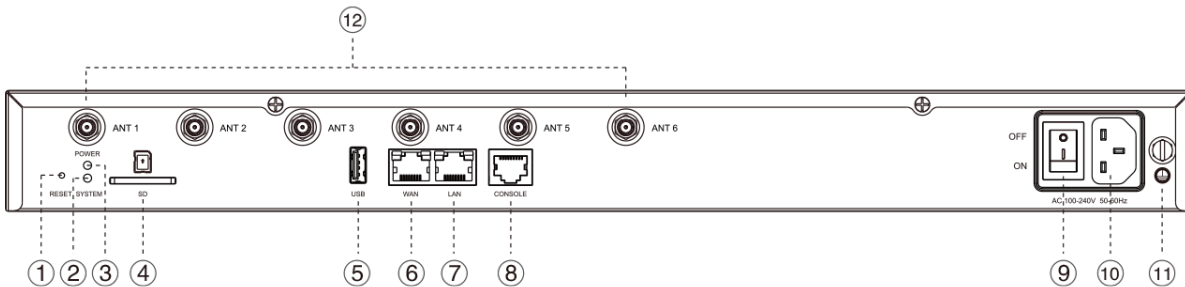
**Table 3.**

No.	Interface or Expansion Board	Description
#	NFC tag	<a href="#">Tap NFC-capable mobile phone's back against Yeastar logo to quickly configure network settings.</a>
#	EX08 Expansion Board	<p>Up to 4 modules and 8 RJ11 ports are supported on the expansion board.</p> <p>The 8 RJ11 ports can be used to connect to different objects:</p> <ul style="list-style-type: none"> <li>• <b>FXS port</b> (green light): For the connection of analog phones or fax machines.</li> <li>• <b>BRI port</b> (orange light): For the connection of BRI lines.</li> </ul>

**Table 3. (continued)**

No.	Interface or Expansion Board	Description
		<ul style="list-style-type: none"> <li>• <b>FXO port</b>(red light): For the connection of PSTN lines or FXS ports of traditional PBX.</li> </ul>
#	EX30 Expansion Board	Used to connect an E1/T1/J1 line.

**Rear panel**



**Table 4.**

No.	Indicator, Button, or Interface	Description
#	Reset button	Press the button to restore to factory defaults.
#	System Indicator	Indicate the system status. <ul style="list-style-type: none"> <li>• <b>Blinking:</b> The system is working properly.</li> <li>• <b>Static/Off:</b> The system goes wrong.</li> </ul>
#	Power Indicator	Indicate the power status.
#	SD Slot	Insert an SD card to store recording files, voicemails, or logs.
#	USB Slot	Insert a USB flash drive to storage recording files, voicemails, or logs.
#	WAN Status Indicator	Indicate the WAN status.
#	LAN Status Indicator	Indicate the LAN status.
#	Console	Connect RS232 line to debug the system.
#	Power Switch	Press this button to switch on/off the device.
#	Power Inlet	Connect the supplied power supply to the port.
#	Protective Earth	Connect to the ground to reduce the risk of electrocution to the user or protect the PBX from bad effects of external noise in case of a lightning strike.

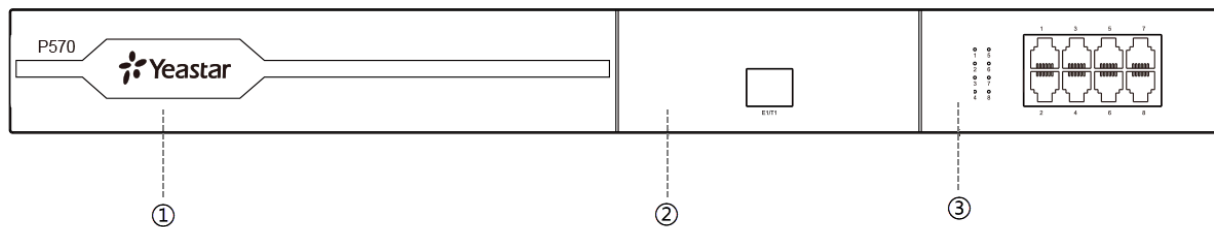
**Table 4. (continued)**

No.	Indicator, Button, or Interface	Description
#	Antenna Socket	Rotate the antenna into the Antenna Socket.

## Yeastar P570 Overview

### Front panel

Yeastar P570 supports 2 expansion boards. You can install EX08 board or EX30 board according to your needs.

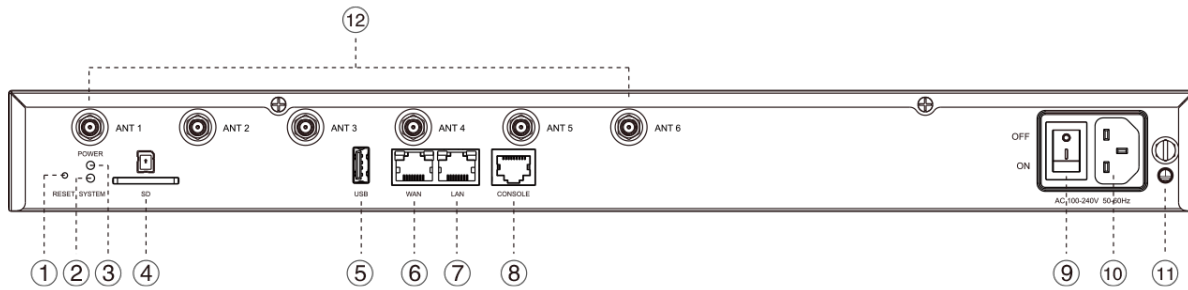


**Table 5.**

No.	Interface or Expansion Board	Description
#	NFC tag	<a href="#">Tap NFC-capable mobile phone's back against Yeastar logo to quickly configure network settings.</a>
#	EX30 Expansion Board	Used to connect an E1/T1/J1 line.
#	EX08 Expansion Board	Up to 4 modules and 8 RJ11 ports are supported on the expansion board. The 8 RJ11 ports can be used to connect to different objects: <ul style="list-style-type: none"> <li>• <b>FXS port</b> (green light): For the connection of analog phones or fax machines.</li> <li>• <b>BRI port</b> (orange light): For the connection of BRI lines.</li> <li>• <b>FXO port</b> (red light): For the connection of PSTN lines or FXS ports of traditional PBX.</li> </ul>



## Rear panel



**Table 6.**

No.	Indicator, Button, or Interface	Description
#	Reset button	Press the button to restore to factory defaults.
#	System Indicator	Indicate the system status. <ul style="list-style-type: none"> <li>• <b>Blinking:</b> The system is working properly.</li> <li>• <b>Static/Off:</b> The system goes wrong.</li> </ul>
#	Power Indicator	Indicate the power status.
#	SD Slot	Insert an SD card to store recording files, voicemails, or logs.
#	USB Slot	Insert a USB flash drive to storage recording files, voicemails, or logs.
#	WAN Status Indicator	Indicate the WAN status.
#	LAN Status Indicator	Indicate the LAN status.
#	Console	Connect RS232 line to debug the system.
#	Power Switch	Press this button to switch on/off the device.
#	Power Inlet	Connect the supplied power supply to the port.
#	Protective Earth	Connect to the ground to reduce the risk of electrocution to the user or protect the PBX from bad effects of external noise in case of a lightning strike.
#	Antenna Socket	Rotate the antenna into the Antenna Socket.

## Expansion Board

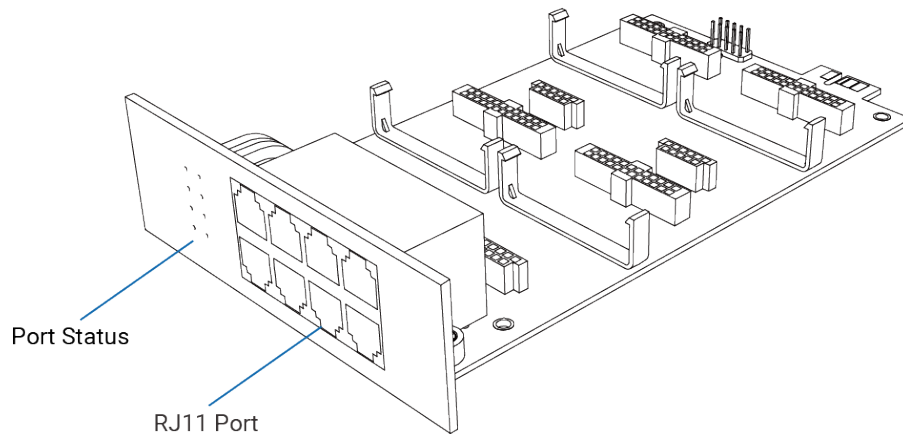
Yeastar P560 and P570 are expandable.

- Yeastar P560 supports 1 Expansion Board (EX08 or EX30) and 1 D30 Module.

- Yeastar P570 supports 2 Expansion Boards (EX08 or EX30) and 2 D30 Modules.

## EX08 Expansion Board

EX08 board supports up to 4 modules (8 RJ11 ports).

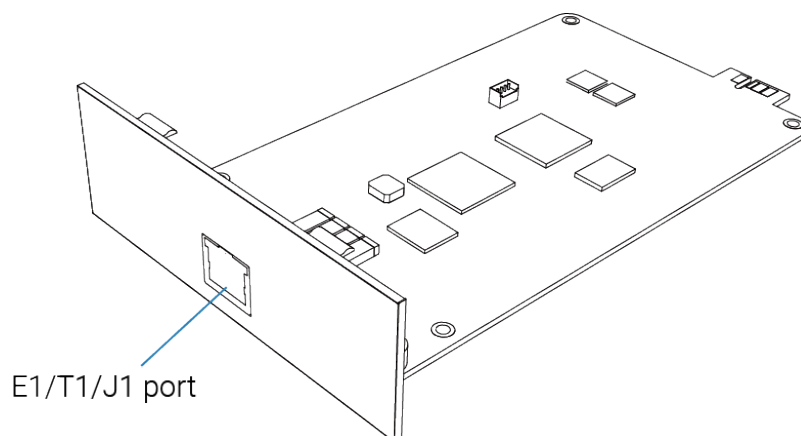


### Optional modules on EX08 board

- O2 Module
- S2 Module
- SO Module
- B2 Module
- GSM/3G/4G LTE Module

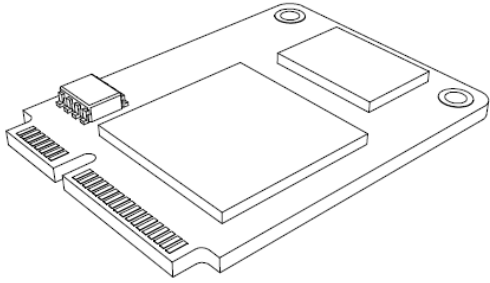
## EX30 Expansion Board

EX30 board supports 1 E1/T1/J1 port.



## D30 Module

D30 is a DSP module, used to expand the capacity of PBX. With a D30 module added, the number of extensions increases by 100 and concurrent calls increases by 30 additionally.



# Install PBX

## Installation Warnings

To avoid unexpected accident, personal injury, or device damage, read the safety disclaimers and installation warnings.

### Power Safety

- Use only the power cord provided with the PBX.
- Keep the power off during installation.
- Make sure that the supply voltage matches the specifications indicated on the rear panel of the device.
- To avoid electric accident, do not open or remove the cover of PBX when it is working as well as off the power.
- Before cleaning the device, cut off the power supply.

### Environment

Install the PBX in a location that is clean, free from vibration, electric shock, and temperature/humidity extremes.

The operating temperature should be kept below 104°F (40°C).

## Package Contents

Before you begin to install the PBX, check the package contents. If there are any problems, contact your provider.

### Package Contents of P550

- 1\* Yeastar P550 Appliance
- 1\* Power Cord
- 1\* Ethernet Cable
- 2\* Rack Mounting Kits
- 1\* Grounding Stud & Nut
- 4\* Rubber Feet
- 1\* Warranty Card
- 1\* Quick Installation Guide

## Package Contents of P560

- 1\* Yeastar P560 Appliance
- 1\* Power Cord
- 1\* Ethernet Cable
- 2\* Rack Mounting Kits
- 1\* Grounding Stud & Nut
- 4\* Rubber Feet
- 1\* Warranty Card
- 1\* Quick Installation Guide

## Package Contents of P570


- 1\* Yeastar P570 Appliance
- 1\* Power Cord
- 1\* Ethernet Cable
- 2\* Rack Mounting Kits
- 1\* Grounding Stud & Nut
- 4\* Rubber Feet
- 1\* Warranty Card
- 1\* Quick Installation Guide

# Install Yeastar P550

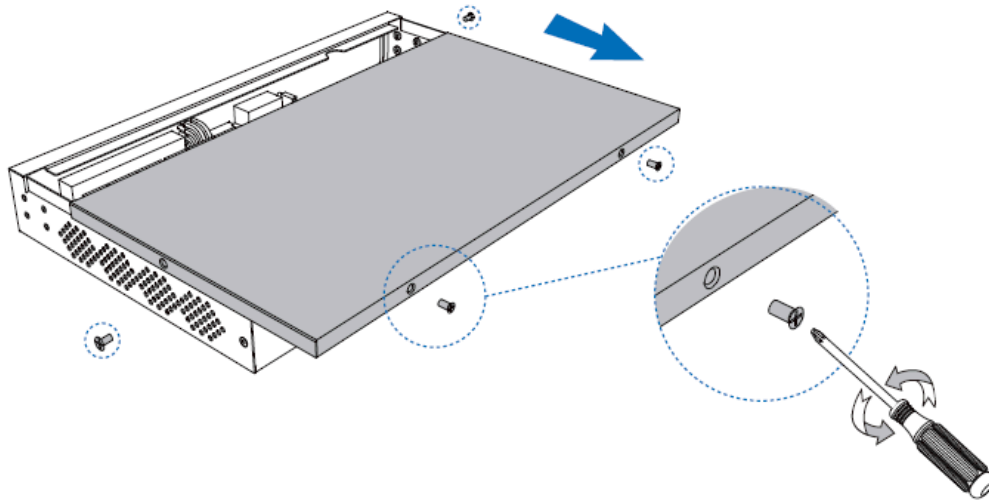
## Install Telephony Module

Yeastar P550 supports up to 4 modules. The optional modules are as below:

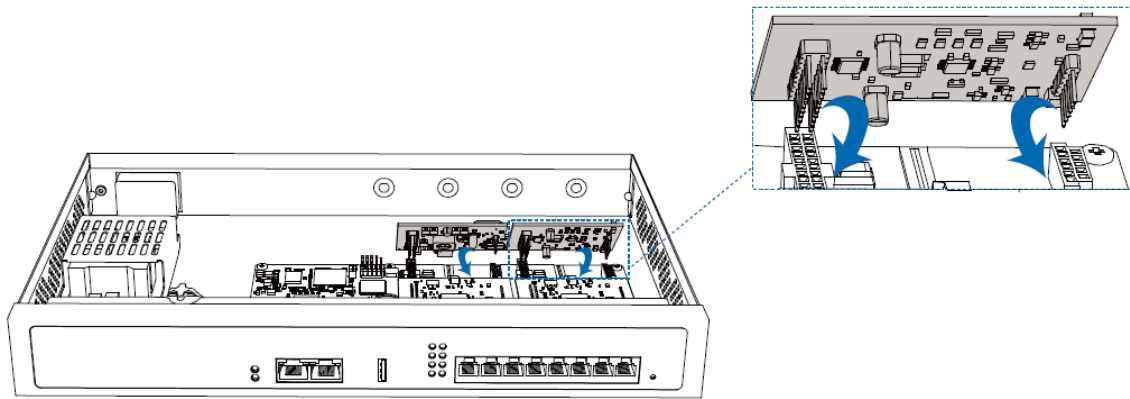
- S2 Module
- O2 Module
- B2 Module
- SO Module
- GSM Module
- 3G Module
- 4G LTE Module

 **Note:** Before installing the module, check if the module is clean and intact.

1. Loosen the screws at the bottom of the device and remove the upper cover.

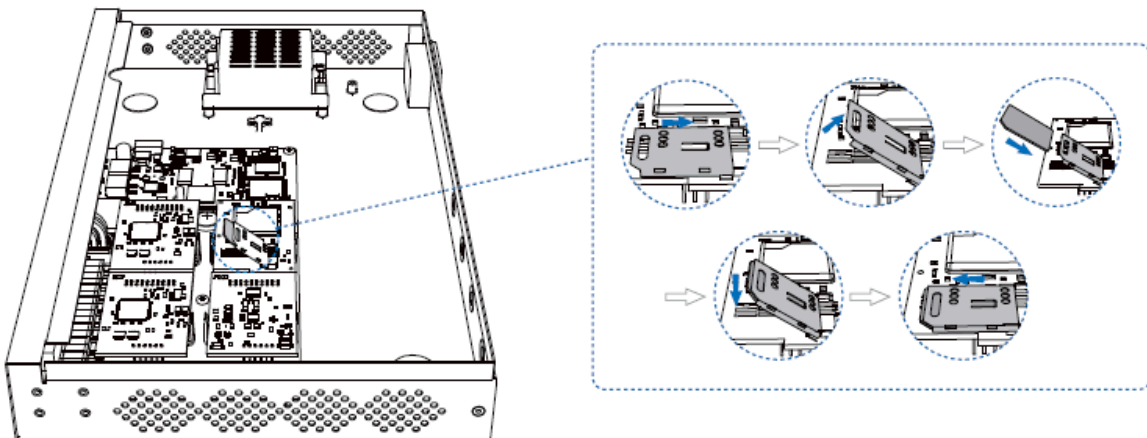


2. Insert the module to the Module Slot.

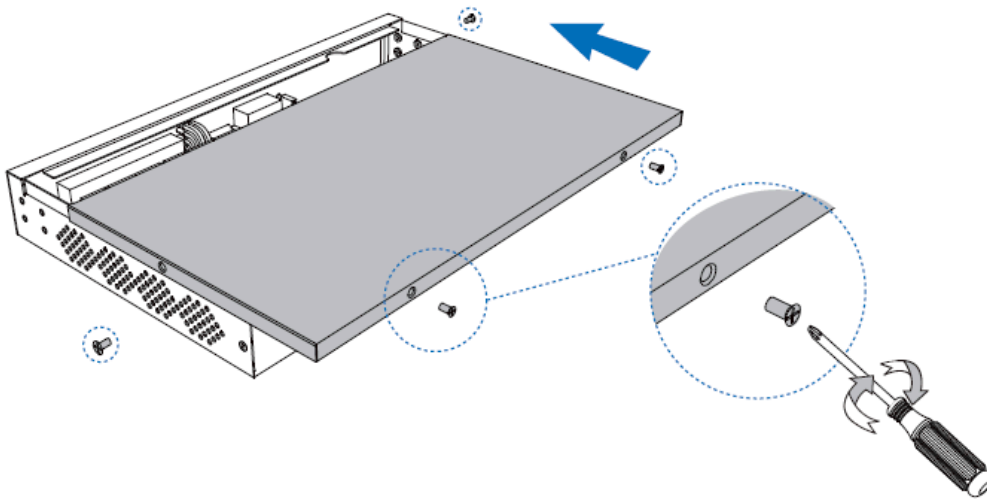


3. Follow the instructions to insert a SIM card on the GSM/3G/4G LTE module.

**Note:** Skip this step if no GSM/3G/4G LTE module is installed.

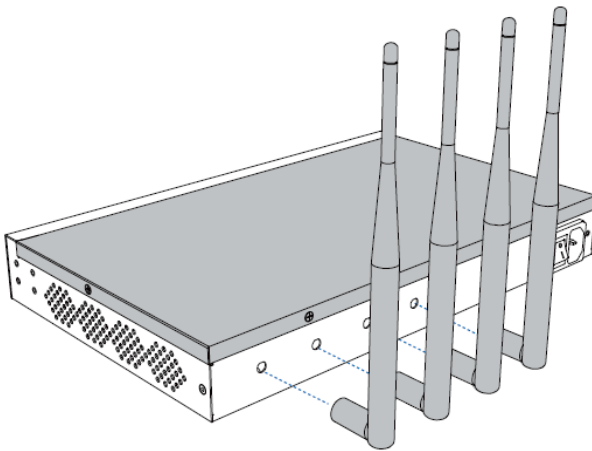


4. Close the cover and fix the screws.



5. Rotate the antenna into the Antenna Socket.

**Note:** Skip this step if no GSM/3G/4G LTE module installed.

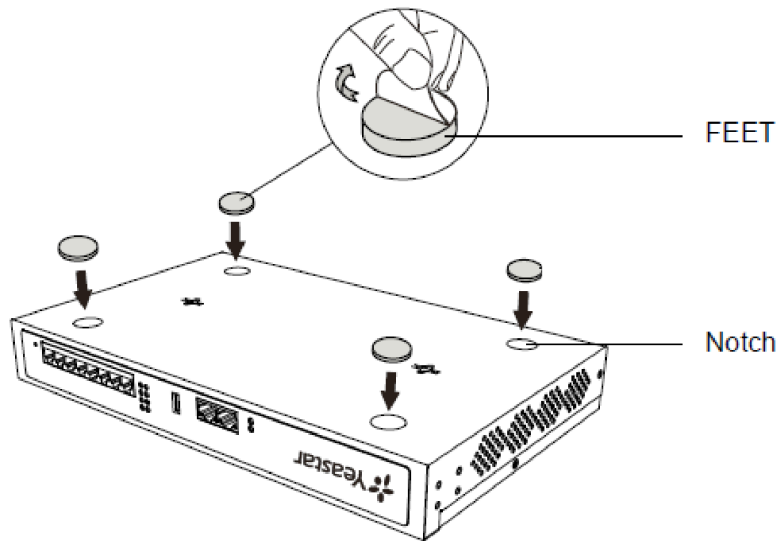


## Desktop Installation

### ⚠ CAUTION:

- Set 5~10cm gaps around the device for air circulation.
- Avoid any heavy thing placed on the device.

1. Place the PBX on a steady platform.
2. Remove the adhesive backing paper from the rubber feet.
3. Turn over the device and attach the supplied rubber feet to the recessed areas on the bottom at each corner of the device.

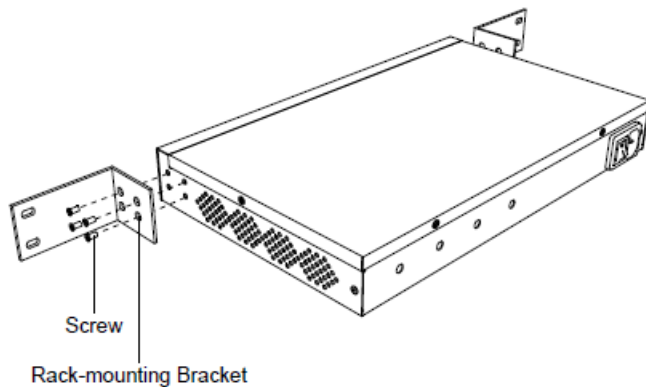


## Rack Installation

### ⚠ CAUTION:

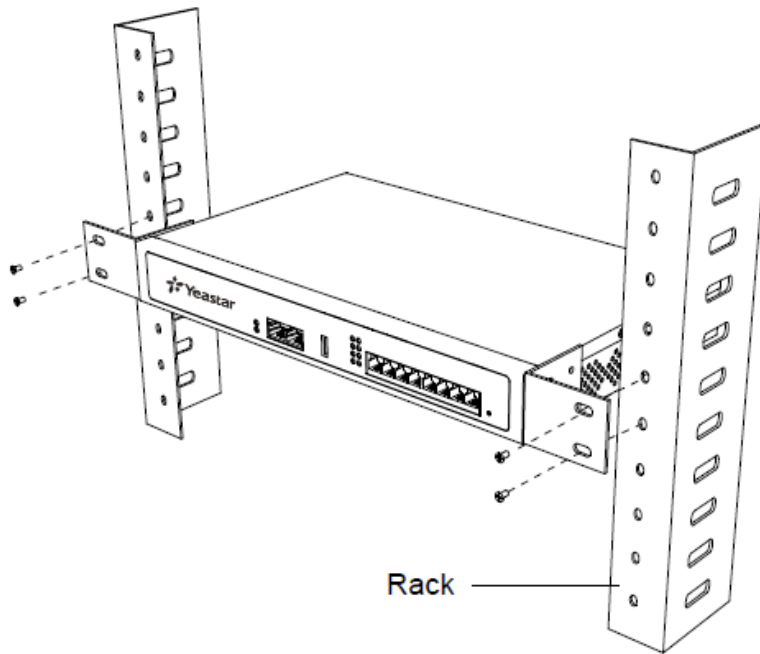
- Be careful not to drop any components. Dropping components may damage them or cause an injury.
- Only use the 19-inch rack mounting kits (attached bracket and fittings) included with the PBX.

1. Fix the brackets to the left and right sides of the PBX with 4 screws.



2. Place the PBX in the 19-inch rack and fix both brackets to the rack with the rack's proprietary mounting equipment.



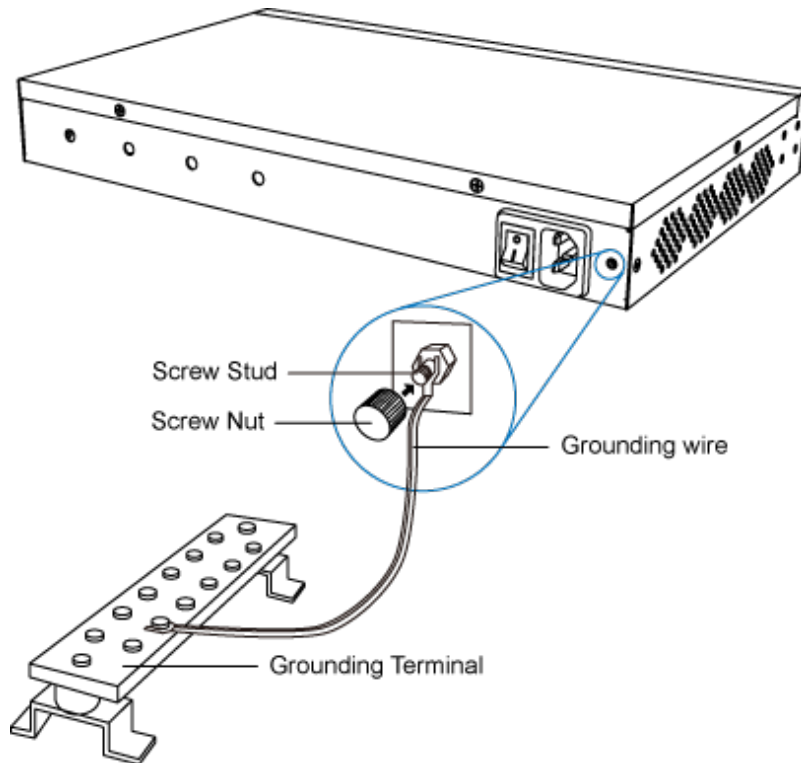


## Ground Connection

### ⚠ CAUTION:

- Proper grounding (connection to ground) is very important to reduce the risk of electrocution to the user or protect the PBX from bad effects of external noise in case of a lightning strike.
- A permanent connection between ground and the ground terminal of the PBX must be made.

1. Tighten the provided screw stud into the Grounding port on PBX.
2. Insert an 18AWG grounding wire (user supplied).
3. Tighten the provided screw nut.
4. Attach the grounding wire to the grounding terminal.



## Install Yeastar P560


### Install Telephony Module

Yeastar P560 supports the followings:

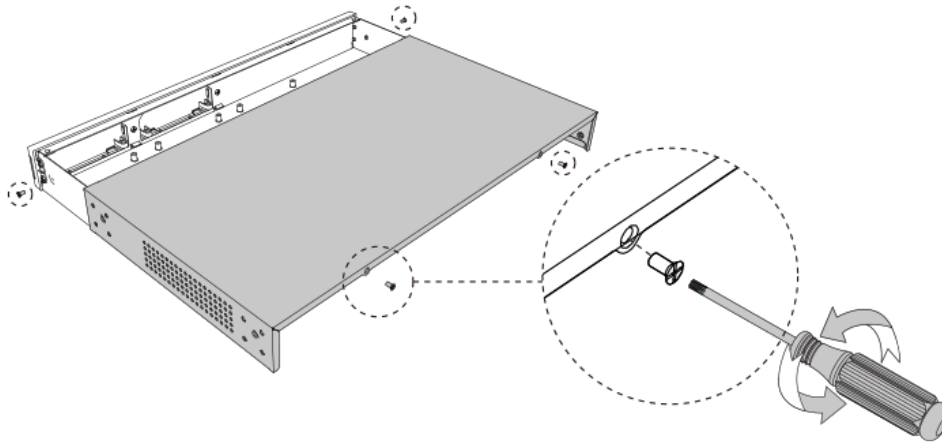
- Max. 1 Expansion Board (EX08 or EX30)
- Max. 4 Telephony Modules
- Max. 1 D30 Module

The optional telephony modules are as below:

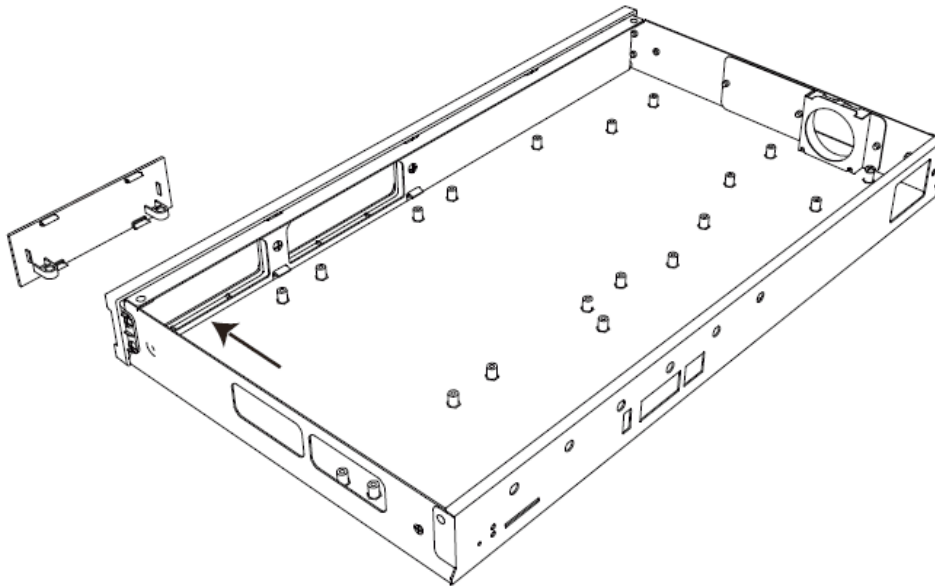
- S2 Module
- O2 Module
- B2 Module
- SO Module
- GSM Module
- 3G Module
- 4G LTE Module

 **Note:** Before installing the module, check if the module is clean and intact.

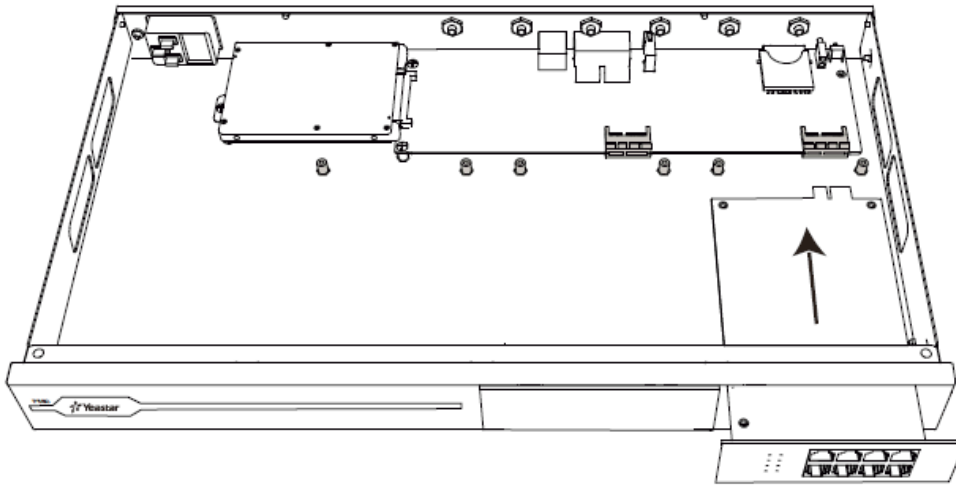
1. Loosen the screws at the bottom of the device and remove the upper cover.



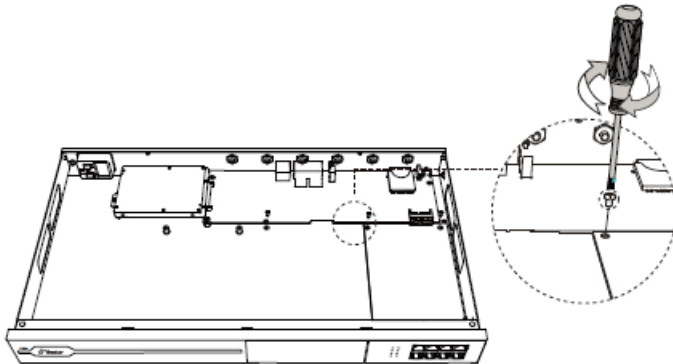
2. Push out the empty board from the inside of the device.




3. Push in the Expansion Board (EX08 or EX30).

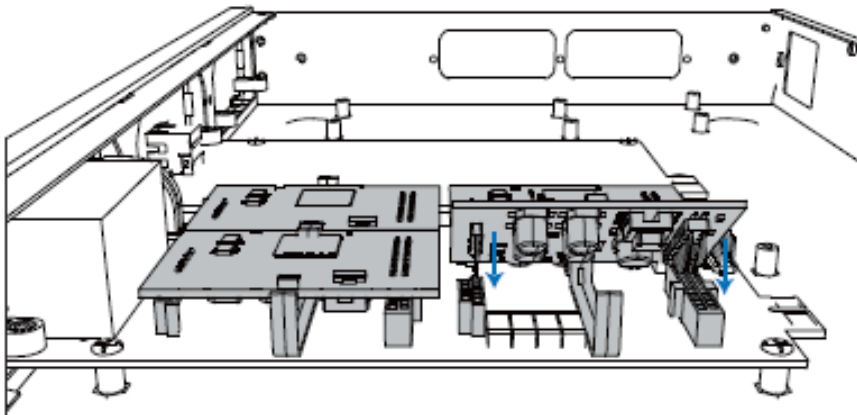


4. Lock the screws to fix the Expansion Board.



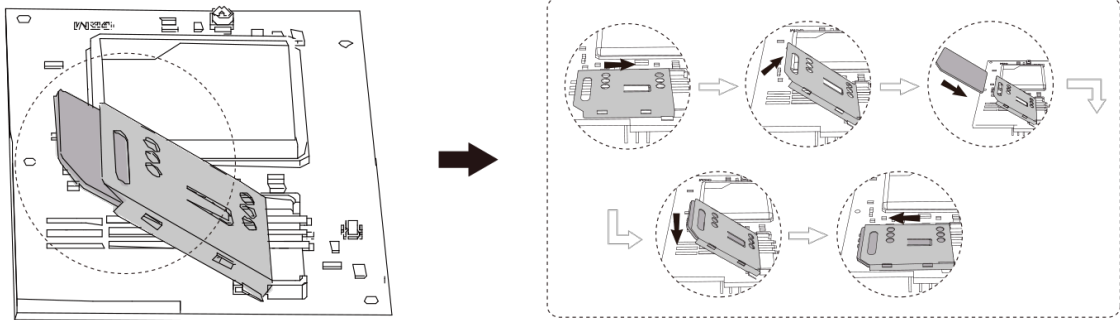
5. Insert the Telephony Modules on the EX08 Board.

 **Note:** Skip this step for EX30 Board.

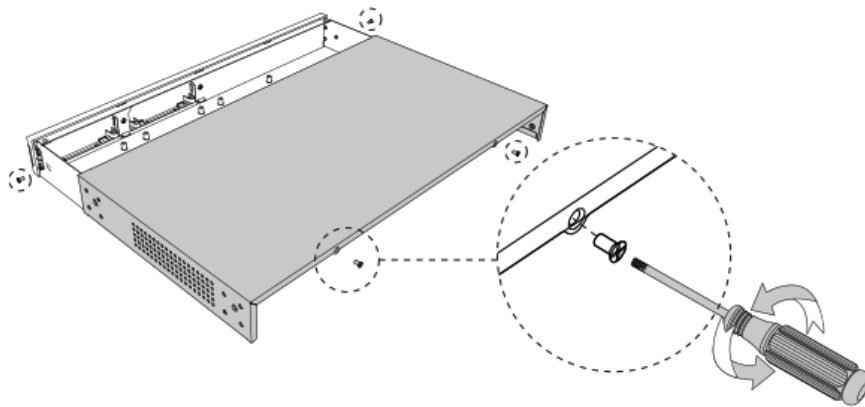


6. Follow the instructions to insert a SIM card on the GSM/3G/4G LTE module.

**Note:** Skip this step if no GSM/3G/4G LTE module is installed.

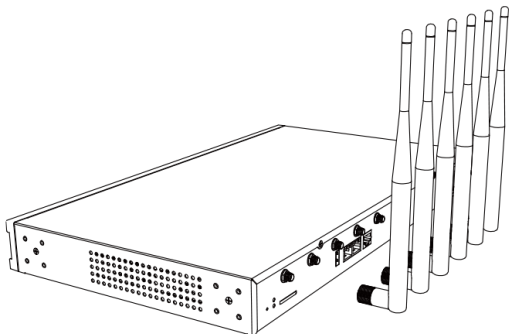


7. Close the cover and fix the screws.



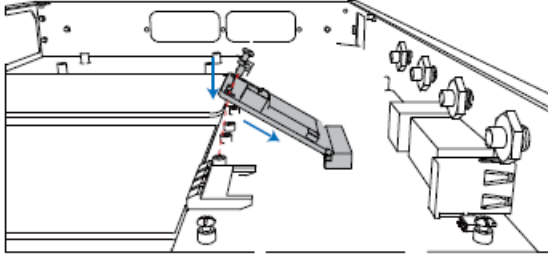
8. Rotate the antenna into the Antenna Socket.

**Note:** Skip this step if no GSM/3G/4G LTE module installed.

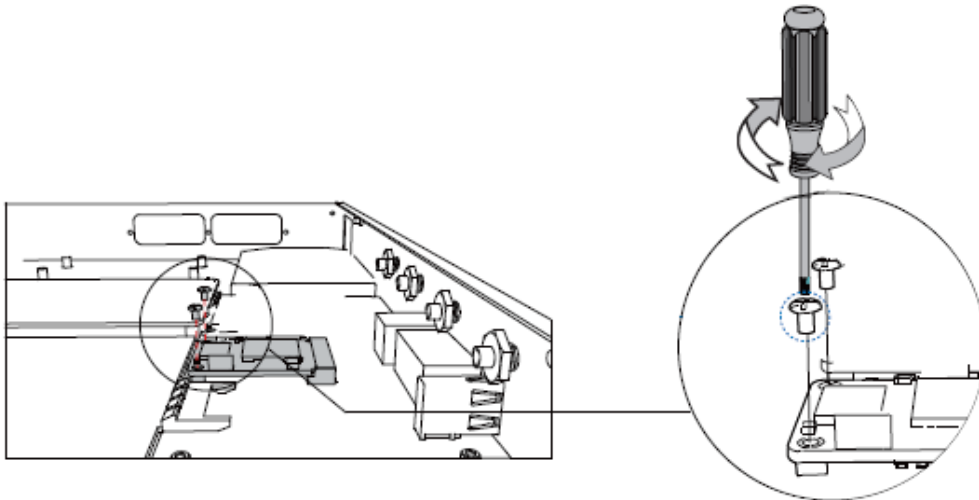


## Install DSP Module

1. Open the device upper cover and insert the DSP module (D30) into the D-Slot from a tilt angle and then press it down.



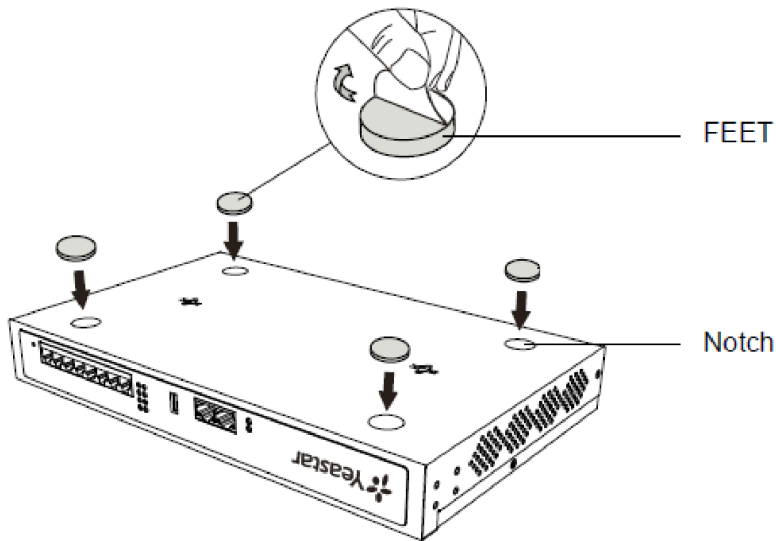
2. Lock the screws to fix the D30 module board.



## Desktop Installation

### ⚠ CAUTION:

- Set 5~10cm gaps around the device for air circulation.
  - Avoid any heavy thing placed on the device.
1. Place the PBX on a steady platform.
  2. Remove the adhesive backing paper from the rubber feet.
  3. Turn over the device and attach the supplied rubber feet to the recessed areas on the bottom at each corner of the device.

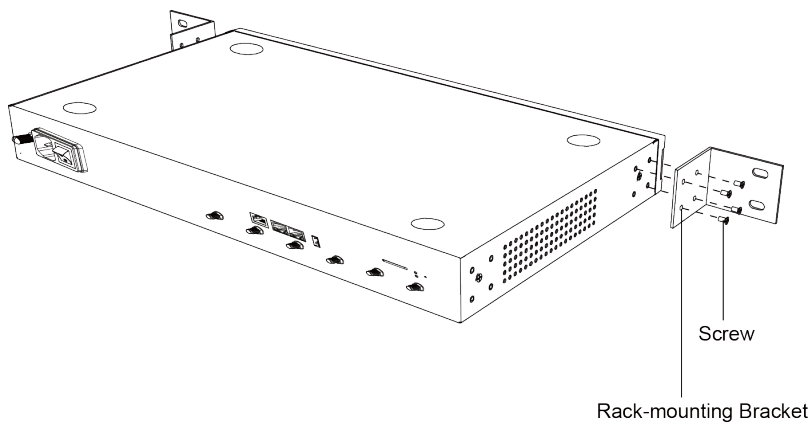


## Rack Installation

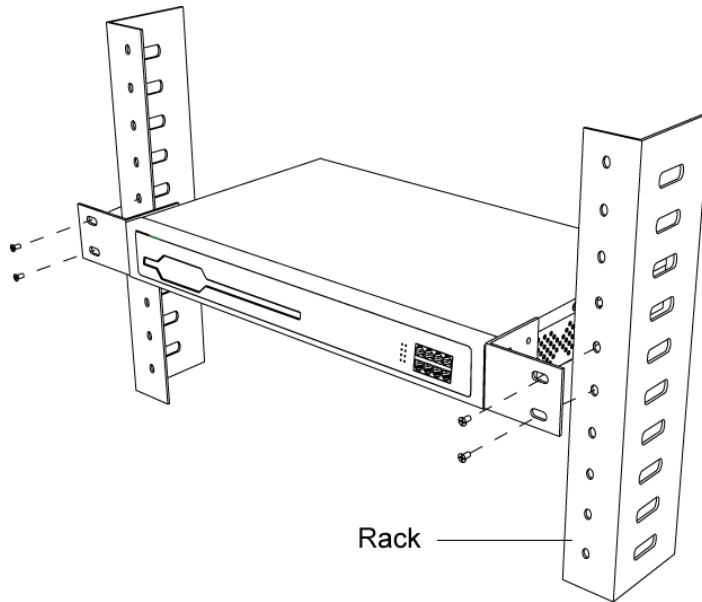
### ⚠ CAUTION:

- Be careful not to drop any components. Dropping components may damage them or cause injury.
- Only use the 19-inch rack mounting kits (attached bracket and fittings) included with the PBX.

1. Fix the brackets to the left and right sides of the PBX with 4 screws.



2. Place the PBX in the 19-inch rack and fix both brackets to the rack with the rack's proprietary mounting equipment.



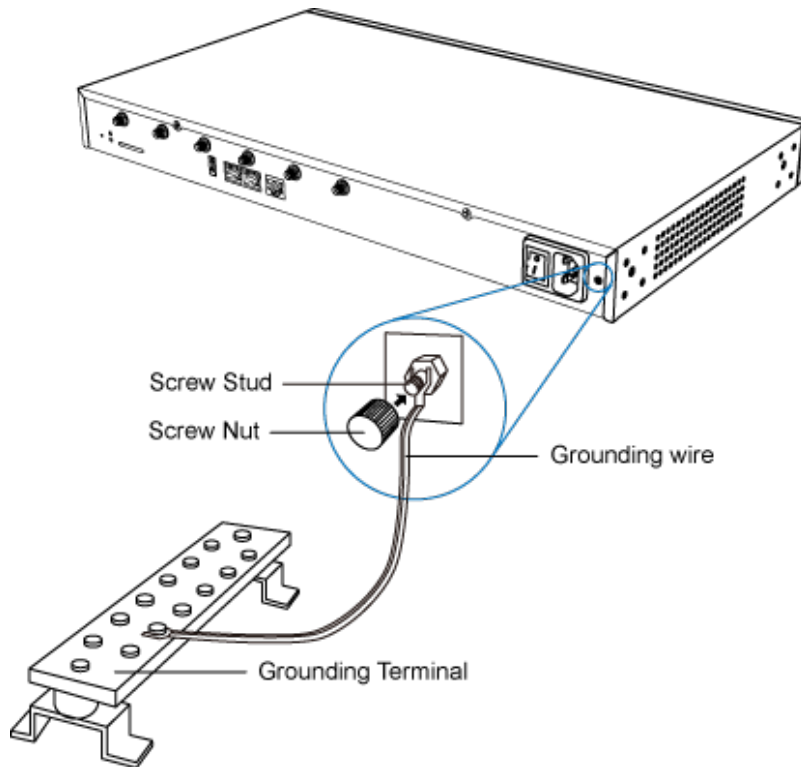
## Ground Connection

### ⚠ CAUTION:

- Proper grounding (connection to ground) is very important to reduce the risk of electrocution to the user or protect the PBX from bad effects of external noise in case of a lightning strike.
- A permanent connection between ground and the ground terminal of the PBX must be made.

1. Tighten the provided screw stud into the Grounding port on PBX.
2. Insert an 18AWG grounding wire (user supplied).
3. Tighten the provided screw nut.
4. Attach the grounding wire to the grounding terminal.





## Install Yeastar P570


### Install Telephony Module

Yeastar P570 supports the followings:

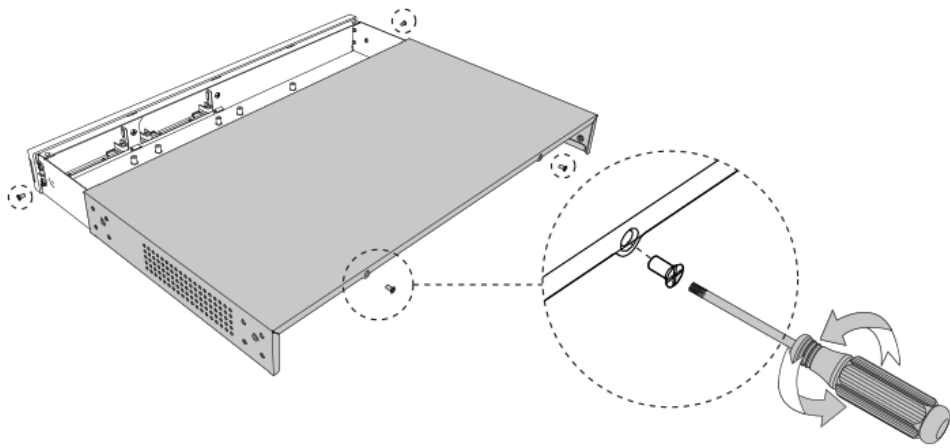
- Max. 2 Expansion Boards (EX08 or EX30)
- Max. 8 Telephony Modules
- Max. 2 D30 Modules

The optional telephony modules are as below:

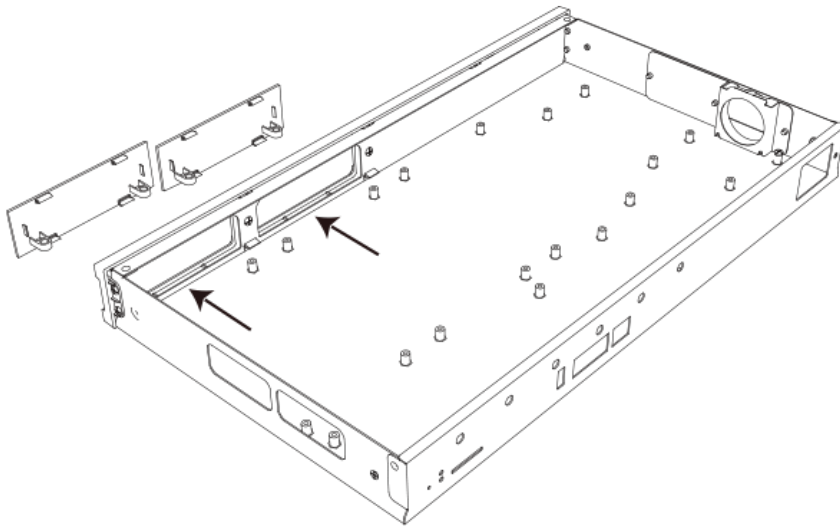
- S2 Module
- O2 Module
- B2 Module
  
- SO Module
- GSM Module
- 3G Module
- 4G LTE Module

 **Note:** Before installing the module, check if the module is clean and intact.

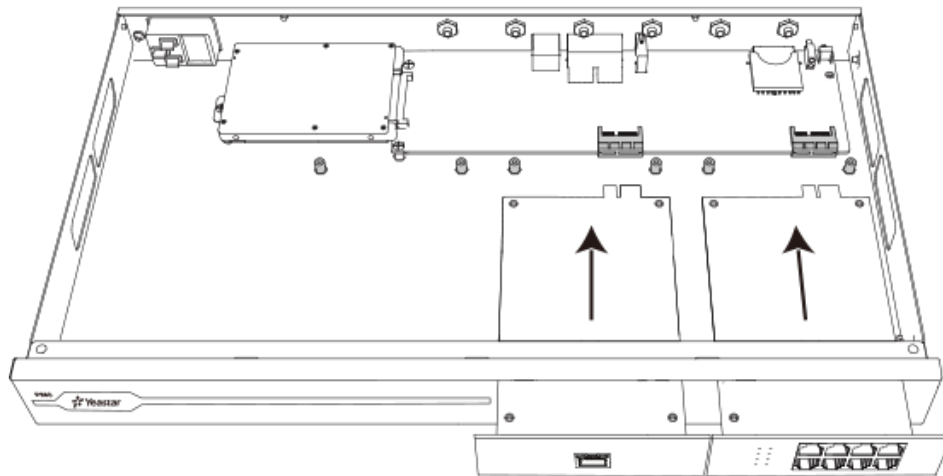
1. Loosen the screws at the bottom of the device and remove the upper cover.



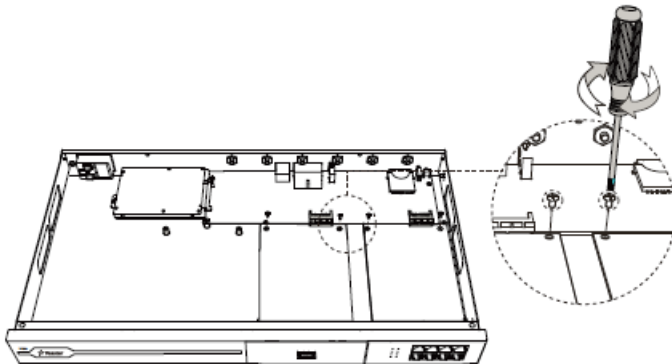
2. Push out the empty board from the inside of the device.




3. Push in the Expansion Board (EX08 or EX30).

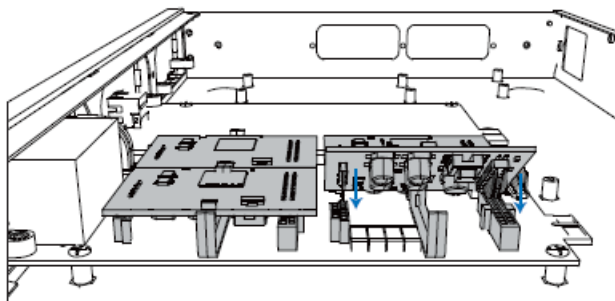


4. Lock the screws to fix the Expansion Board.



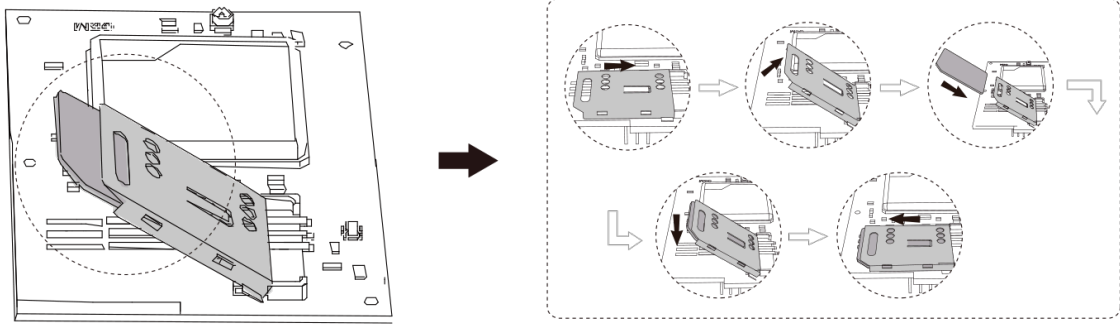
5. Insert the Telephony Modules on the EX08 Board.

 **Note:** Skip this step for EX30 Board.

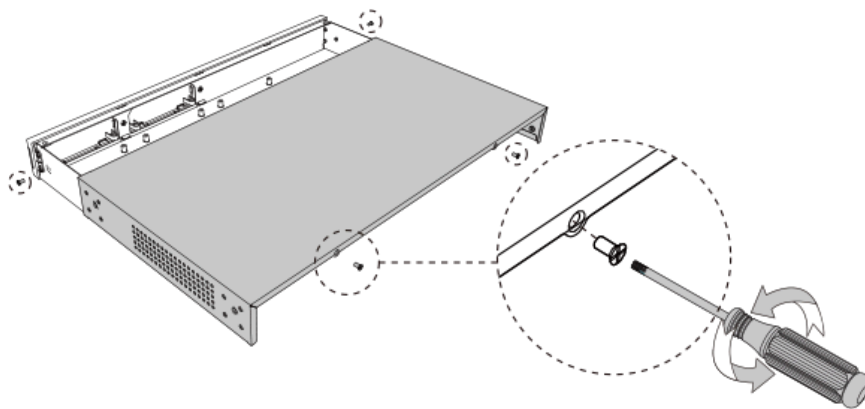


6. Follow the instructions to insert a SIM card on the GSM/3G/4G LTE module.

 **Note:** Skip this step if no GSM/3G/4G LTE module is installed.

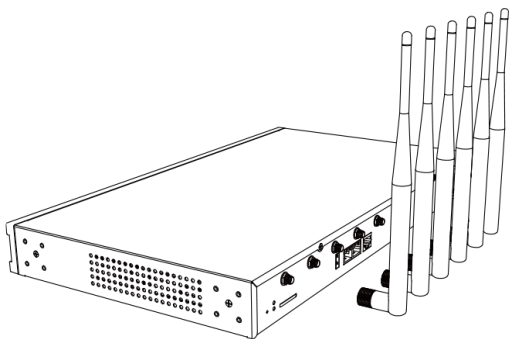


7. Close the cover and fix the screws.



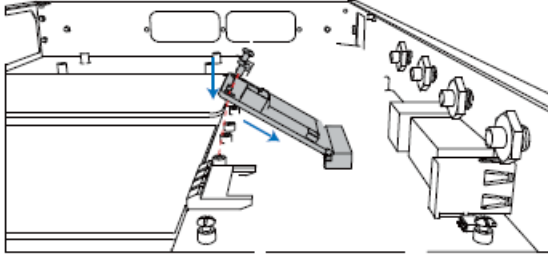
8. Rotate the antenna into the Antenna Socket.

 **Note:** Skip this step if no GSM/3G/4G LTE module installed.

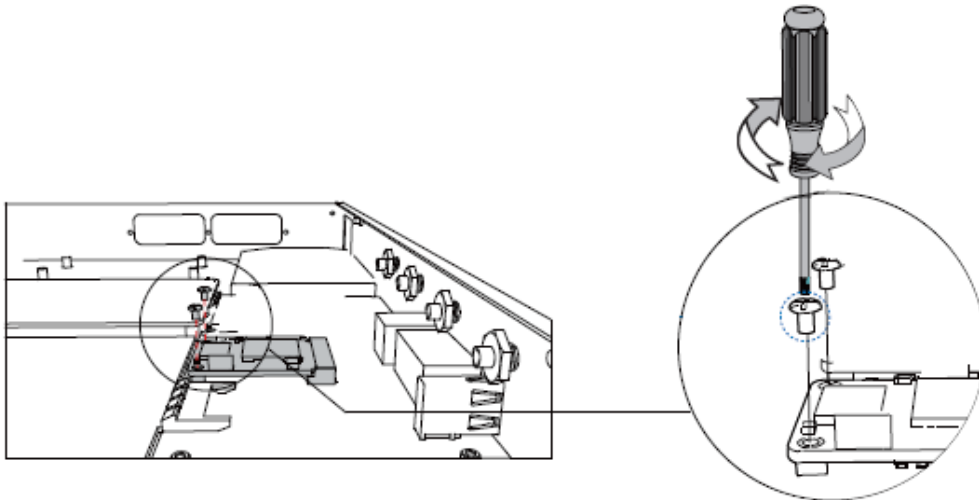


## Install DSP Module

1. Open the device upper cover and insert the DSP module (D30) into the D-Slot from a tilt angle and then press it down.



2. Lock the screws to fix the D30 module board.

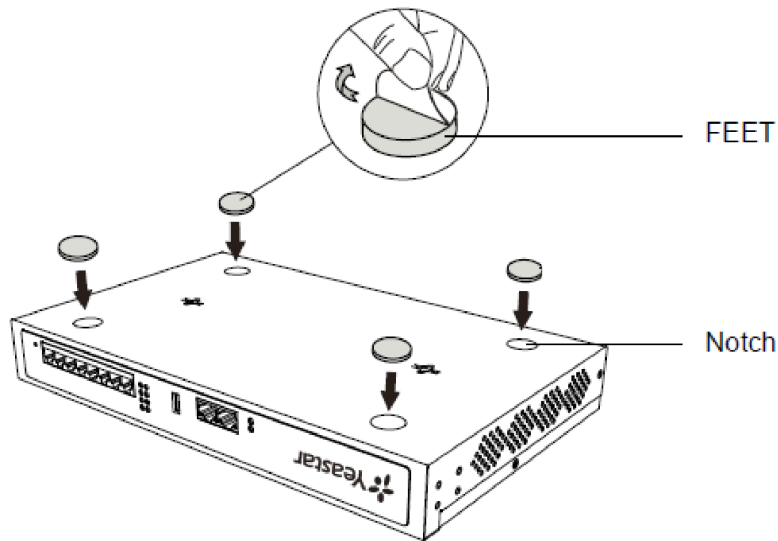


## Desktop Installation

### ⚠ CAUTION:

- Set 5~10cm gaps around the device for air circulation.
- Avoid any heavy thing placed on the device.

1. Place the PBX on a steady platform.
2. Remove the adhesive backing paper from the rubber feet.
3. Turn over the device and attach the supplied rubber feet to the recessed areas on the bottom at each corner of the device.

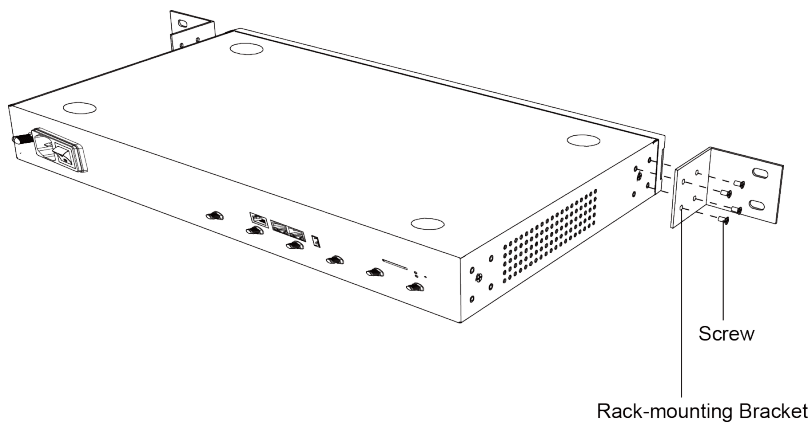


## Rack Installation

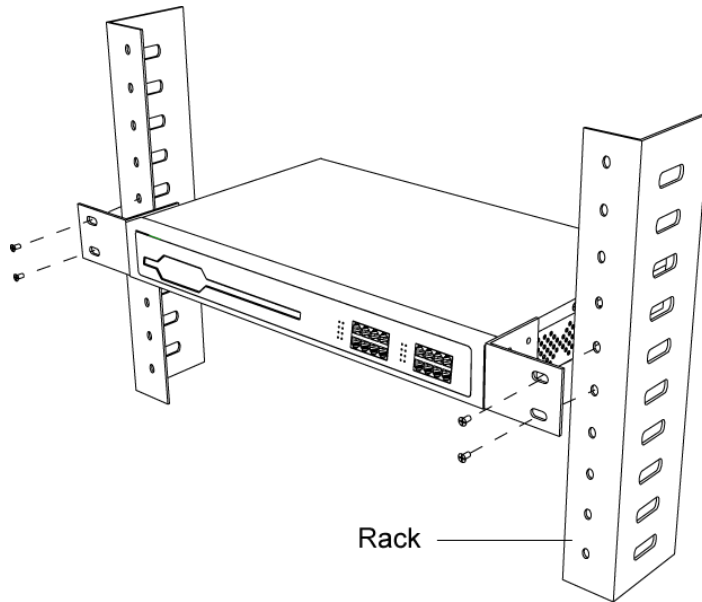
### ⚠ CAUTION:

- Be careful not to drop any components. Dropping components may damage them or cause injury.
- Only use the 19-inch rack mounting kits (attached bracket and fittings) included with the PBX.

1. Fix the brackets to the left and right sides of the PBX with 4 screws.



2. Place the PBX in the 19-inch rack and fix both brackets to the rack with the rack's proprietary mounting equipment.

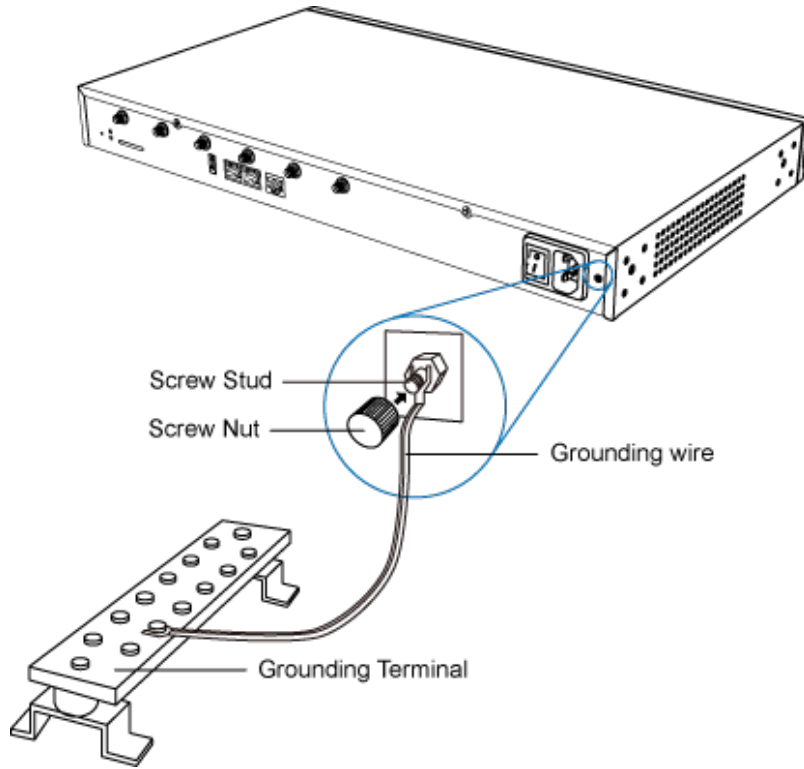


## Ground Connection

### ⚠ CAUTION:

- Proper grounding (connection to ground) is very important to reduce the risk of electrocution to the user or protect the PBX from bad effects of external noise in case of a lightning strike.
- A permanent connection between ground and the ground terminal of the PBX must be made.

1. Tighten the provided screw stud into the Grounding port on PBX.
2. Insert an 18AWG grounding wire (user supplied).
3. Tighten the provided screw nut.
4. Attach the grounding wire to the grounding terminal.





# Connect Your PBX

Connect your PBX to the local network, and connect telephony lines to the PBX.

1. Connect your PBX to the network.


Connect one end of an Ethernet cable to the LAN port of your PBX, and the other end to any port of your company's LAN switch/router.


2. Power on your PBX.

Plug the provided power cord into the power inlet of the PBX, and the other end to a standard electrical wall socket.

Wait for the system to boot up till the SYSTEM LED starts to blink.

3. Connect your PBX to the telephony lines.

 **Note:** Connect BRI/PSTN/analog phone/fax machine to the corresponding port based on the color of port indicator.

<b>RJ11 Port</b>	<b>Operation</b>
FXS	Connect one end of a RJ11 phone cable to the port. Connect the other end to an analog phone or fax machine.
FXO	Connect an RJ11 cable to the FXO port. Connect the other end to a PSTN line.
BRI	Connect one end of the cable provided by the ISDN BRI provider to the BRI port. Connect the other end to the equipment of ISDN provider.
<b>E1/T1/J1 Port</b>	<b>Operation</b>
E1/T1/J1	Connect one end of the E1/T1/J1 cable to the E1/T1/J1 port. Connect the other end to the E1/T1/J1 Provider's equipment.   <b>Note:</b> The operation is ONLY available for P560 and P570.

# Change the IP Address of the PBX

This topic describes how to use NFC to quickly set up network of Yeastar P-Series PBX System by Linkus Mobile Client.

## Background information

Yeastar P-Series PBX System has a physical NFC tag containing NFC chip behind Yeastar logo, which allows an NFC-capable phone with Linkus Mobile Client installed to write network data to or read network data from the chip.

The default IP address is **192.168.5.150**. When the PBX is in factory state, you can use NFC to change the PBX's IP address, and then access the PBX web interface directly via the newly assigned IP address.

## Restrictions & Requirements

### Restrictions

- Only when the system is in factory state can you write configurations to the system by NFC.
- You can use NFC to write configuration only ONCE. After the writing is completed, the NFC feature can only be used to read configuration.

### Requirements

Your mobile phone and Linkus Mobile Client must meet the following requirements:

**Table 7.**

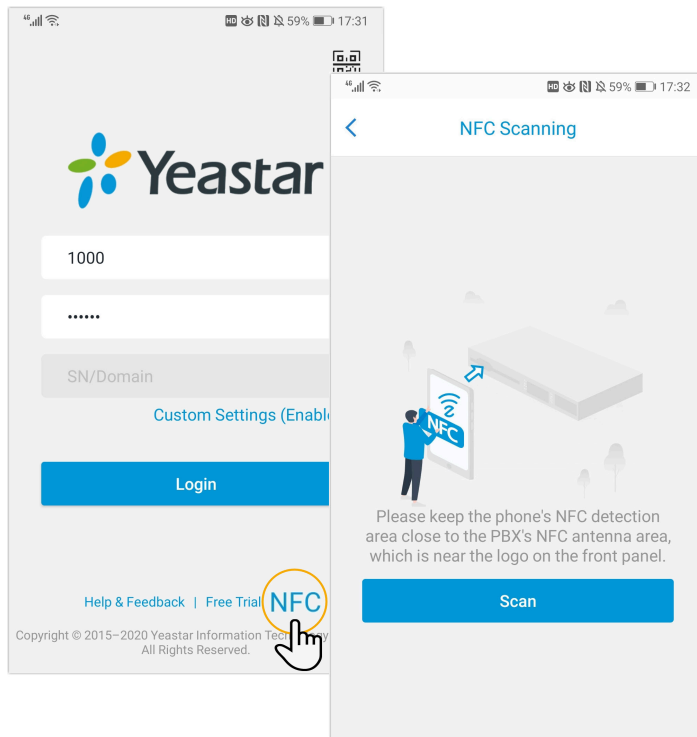
Device	Requirement
Mobile phone	<ul style="list-style-type: none"><li>• <b>For Android:</b> Any phones that have activated NFC feature.</li><li>• <b>For iOS:</b> Phones that meet all of the followings:<ul style="list-style-type: none"><li># iPhone 8 or later.</li><li># iOS 13 or later.</li><li># NFC feature has been enabled.</li></ul></li></ul>
Linkus Mobile Client	<ul style="list-style-type: none"><li>• <b>Linkus Android Client:</b> Version 3.4.18 or later.</li><li>• <b>Linkus iOS Client:</b> Version 3.4.18 or later.</li></ul>

## Procedure

Follow the instructions below to write network data to the system when the system is powered on.

 **Note:** You can also write network data to the NFC chip, and then power on the PBX.

1. Open NFC scanning page on Linkus Mobile Client.
  - a. Open Linkus Mobile Client.
  - b. At the bottom of Linkus login page, tap **NFC** and tap **Scan**.



2. Scan the PBX's NFC tag.
  - a. Keep your phone's NFC detection area against the Yeastar logo that is on the PBX's front panel.

The NFC chip is detected and you're redirected to the network configuration page.

3. Configure PBX network.
  - a. In the **Basic** section, select an Ethernet mode from the drop-down list.
    - **Single**: Only LAN port is used for connection, WAN port is disabled.
    - **Bridge**: LAN port is used for connection, WAN port is used as bridge for PC connection.
    - **Dual**: Both LAN port and WAN port are used for connection.

**Note:** You need to specify a default network interface for the PBX, the traffic will be routed to the default interface.

- b. Configure network settings, and tap **Next**.
  - c. In the pop-up dialog box, tap **Confirm**.
4. Write NFC data to the PBX.
  - a. Keep your phone's NFC detection area against the Yeastar logo that is on the PBX's front panel till you are prompted "Writing successfully".
 

Device information and network settings of the PBX are displayed on the page.
  - b. Reboot the PBX to take effect.

## Result

- On web browser, access the IP address that you have configured, you will find the Installation Wizard appears. For configuration details in the Installation Wizard, see [Initial Setup Using the Installation Wizard](#).
- Keep your phone's NFC detection area against the Yeastar logo again, you will find the network settings can only be READ.