

**Fanvil**

**SIP Video Intercom i18S**

# **Quick Installation Guide**



[www.fanvil.com](http://www.fanvil.com)

## Table of Contents

1. Package Contents.....	3
2. Physical Specifications.....	4
3. Intercom Topological Graph.....	7
4. Installation.....	8
5. Searching Intercom.....	11
6. SIP Setting.....	12
7. Intercom Settings.....	16

# ① Package Contents

---



**Door Phone**



**Connectors**



**Quick Installation  
Guide**



**Mounting Template**

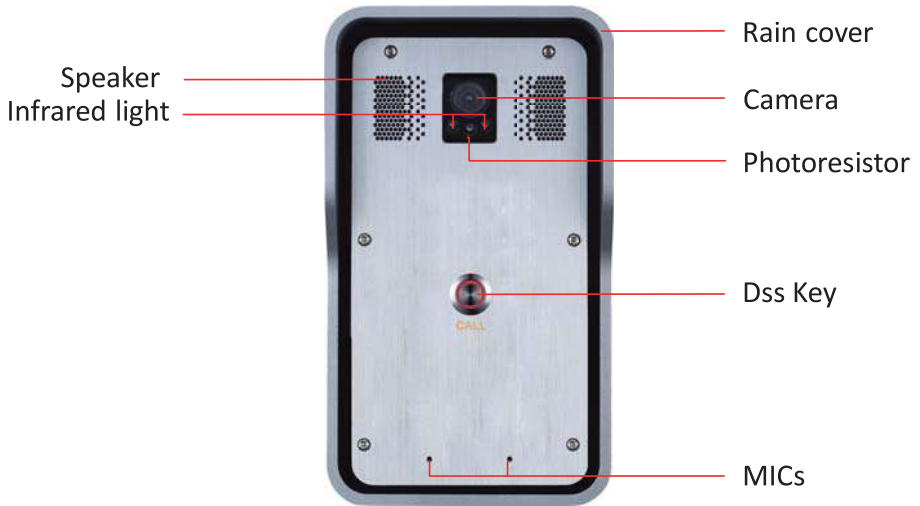


**Screw and  
Screwdriver**

## 2 Physical Specifications

<b>Device size</b>	<b>223 x 130 x 74mm</b>
<b>Weight</b>	<b>1800g</b>

### 1) Front Panel




Interface	Description
Camera	Get the video.
Infrared light & Photoresistor	The Compensate for lack of ambient light.
Speaker	The intercom has a built-in speaker for convenient communication and alert use.
MIC	The intercom has a built-in microphone hidden in the pinhole located on the front panel.

### Button Definition

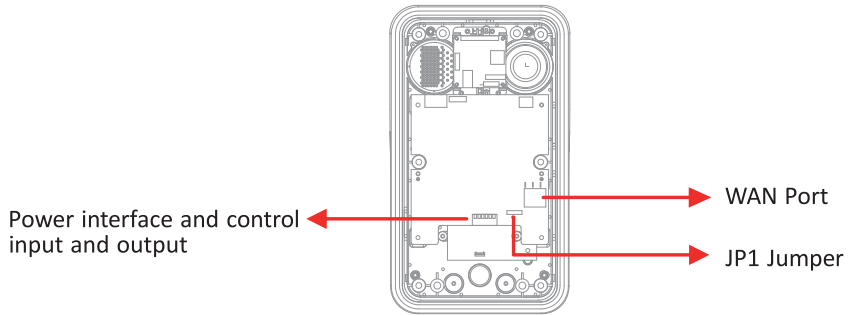
Button	Description
DSS Key	Press the Button, intercom calling

### LED Definition

LED	Status	Description
	Blinks per second	On call/Hold
	With flashing rapidly	Network failure or not connected
	Always-on	SIP Registration succeeded

## 2) Port Definition

After removing the Back Panel of device, there are one terminal block connectors for Power interface and control input and outputs as shown in the picture below.



## Network Connector



## Power and Control interfaces



1	2	3	4	5	6	7
+DC12V	VSS	NC	COM	NO	S-IN	S-OUT
12V DC Input		Control output			Control input	

### JP1 Jumper

The control output has two power modes, as shown in the following figure  
(The default is “**Passive Mode**”).

**Passive Mode:** When the output device current is more than 12V/500mA, need to use the external drive mode, the control output interface for short circuit output control.

**Active Mode :** When the output device current is less than 12V/500mA, can use the internal drive mode, the control output interface is 12V DC output.



Jumper in passive mode



Jumper in active mode

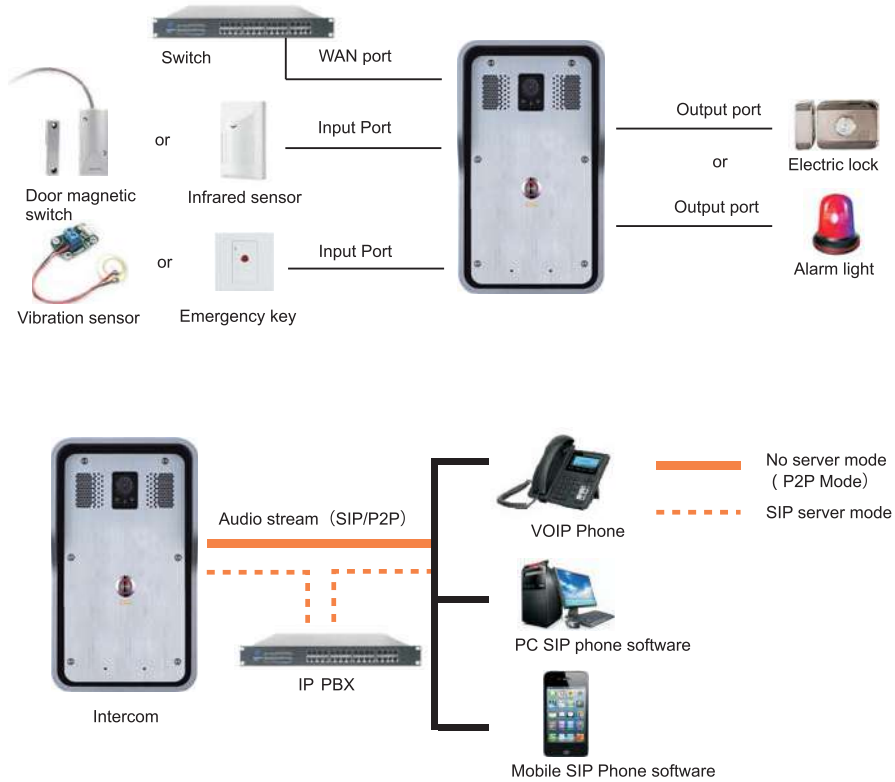
### Wiring instructions

NO: Normally Open Contact

COM: Common Contact

NC: Normally Close Contact

### 3 Intercom Topological Graph



Users can call the same group of people through the VOIP phone, PC or mobile phone SIP phone software, and realizes remote control to the device. (Such as a door lock, alarm lamp etc.)

### 3 Installation

---

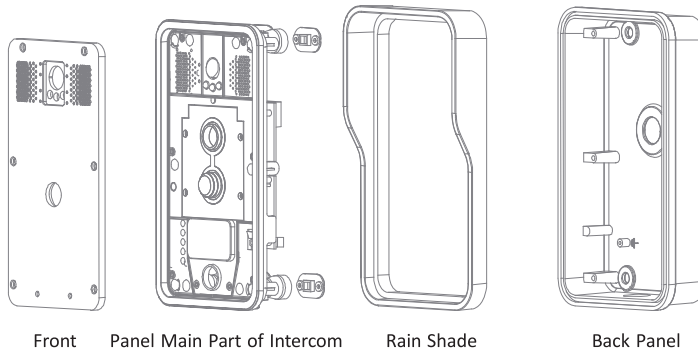


Figure 1 Three Major Parts of i185

#### Step 1: Installation preparation

A. Check the following contents:

- Hex screwdriver x 1
- RJ45 plugs x 2 (1 spare)
- TA5 x 40mm screws x 4
- 35mm screw anchors x4

B. Tools that may be required:

- Hex wrench
- Phillips screwdriver (Ph2 or Ph3),hammer, RJ45 crimper
- Electric impact drill with an 6mm drill bit

#### Step 2: Drilling

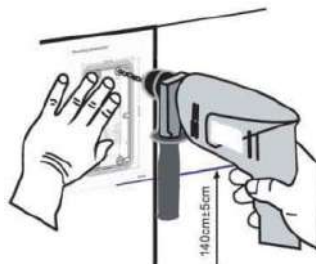


Figure 2 Wall Mounting



## 4 Installation

- A. Place the mounting template with dimensions on the surface of a wall in a desired flat position.
- B. Use an electric drill to drill the 4 holes marked on the mounting template. It is recommended to drill about 50mm deep. Remove the template when finishing drilling.
- C. Push or hammer screw anchors into the drilled holes.

### Step 3: Removing hanging shell

- A. With L-shaped screwdriver, unpack the front panel as diagram (3) (Counter-clockwise) and (4)

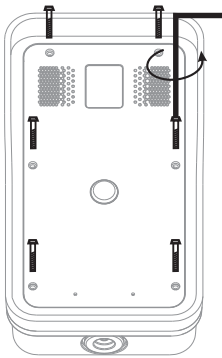


Figure 3

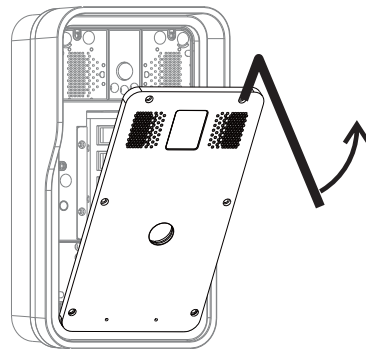


Figure 4

- B. After taking off the 6 conductive sponges in the plastic shell, use the cross screwdriver to remove the 6 screws on the plastic shell and remove the rain cover from the plastic shell. Then separate the plastic shell from the rear shell as diagram (5).

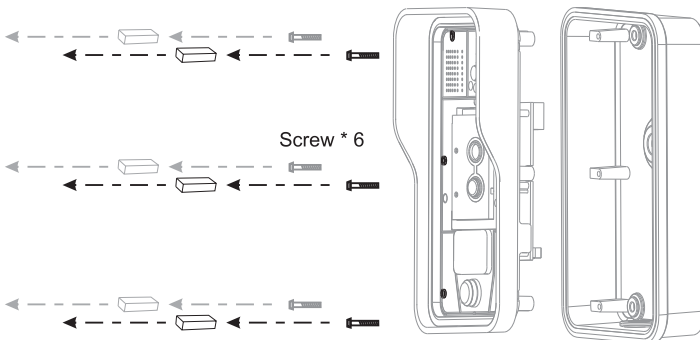


Figure 5

#### Step 4: Back panel fixing and cabling

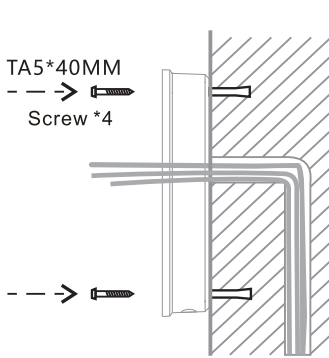


Figure 6

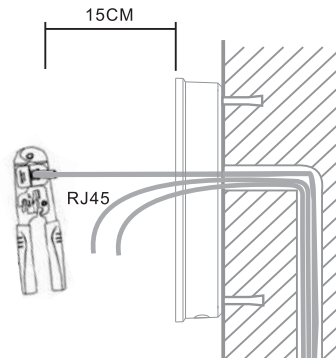


Figure 7

- Select the hole for cable supply, 15cm to 20cm cable length is recommended.  
Note: The direction of the cable hole on back panel is pointing down.
- With 4 TA5\*40mm screws, tighten the back panel on the wall as diagram(6).
- Connect the cables of RJ45, power, and input Output to the motherboard sockets as mentioned in connectors description (refer to JP1 jumper).
- Test whether there is electricity by doing the following:  
Press the # button for 3 seconds to get the IP address of intercom by voice.  
check Input and output devices installation.

**Note:** Do not proceed mounting until you have finished the electric checking.

#### Step 4: Mounting

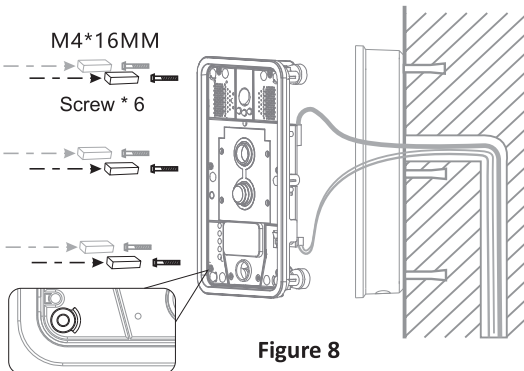


Figure 8

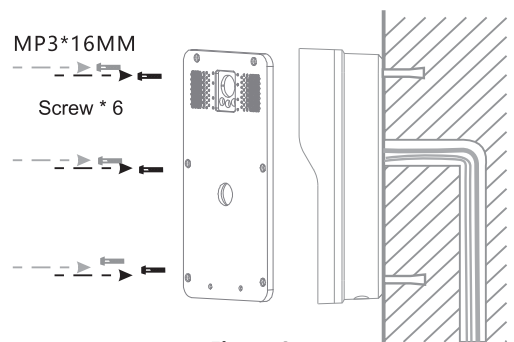


Figure 9

- After locking the 6 screws into the corresponding position of the plastic housing, the 6 conductive sponges is loaded into a screw hole. As shown in Fig. 8, the rear shell is locked.  
Note: This sponge can enhance the ESD protection function of the product. Kindly suggest that it should not be ignored!
- Push the front panel into the plastic frame, and tighten it with 6 screws as diagram(9).  
Note: Make sure the screws have been tightened properly for better waterproof effect.

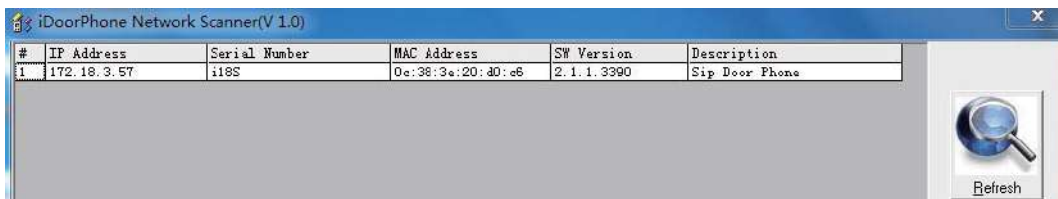
## 5 Searching Intercom

There are two methods as shown below to search the device.

### Method 1:

Open the iDoorPhone Network Scanner. Press the Refresh button to search the device and find the IP address.

(Download address <http://download.fanvil.com/tool/iDoorPhoneNetworkScanner.exe>)



### Method 2:

Press and hold the “#” key for 3 seconds and the intercom will report the IP address by voice.

In addition device provides the device surface DSS key operation to switch IP address acquisition mode: long press the DSS key for 10 seconds, to be issued by the speaker Beep, and then press the DSS key three times, the beep stops. Wait 10 seconds, after the success of the system automatically broadcast the current IP address.



Default Setting	
Default DHCP Mode	Not enabled
Static IP Address	192.168.1.128
Default Web Port	80
Default Login User Name	admin
Default Login Password	admin
Display IP address	Hold # for 3 seconds to display by voice
Search Tools	iDoorPhone Network Scanner

## 6 Installation

### Step 1: Log in the intercom

Input IP address (e.g. <http://192.168.1.149>) into address bar of PC's web browser.

The default user name and password are both admin.



A login form with a red header bar. It contains three input fields: 'User:' with a text box, 'Password:' with a text box, and 'Language:' with a dropdown menu set to 'English'. A 'Logon' button is located at the bottom right of the form.

### Step 2: Add the SIP account.

Set SIP server address, port, user name, password and SIP user with assigned SIP account parameters.

Select "Activate", and then click Apply to save this setting.



A screenshot of a web interface for configuring SIP settings. The left sidebar shows a navigation menu with categories: System, Network, Line (selected), Intercom settings, Security settings, and Function Key. The main content area is titled 'SIP Basic Settings' and shows configuration for 'Line SIP 1'. The 'Line Status' is 'Registered'. The 'Basic Settings >>' section includes: Line Status (Registered), Phone number (5528), Display name (5528), Authentication Name (5528), Authentication Password (\*\*\*\*\*), and Activate (checked). The 'SIP Proxy Server Address' is 172.18.1.88, SIP Proxy Server Port is 5060, Backup Proxy Server Address is empty, Backup Proxy Server Port is 5060, Outbound proxy address is empty, Outbound proxy port is empty, and Realm is empty. Below this are sections for 'Codecs Settings >>' and 'Advanced Settings >>'. An 'Apply' button is at the bottom.

### Step 3: Setting DSS key

Set the DSS key as shown below for a quick start. Click “Apply” to save this setting.

Type: Hot Key

Number 1: The DSS Key will dial to this Number 1.

Number 2: If Number 1 is unavailable, it will be forwarded to Number 2.

Line: Working line

Subtype: Speed dial

The screenshot shows the 'Function Key Settings' configuration page. On the left is a navigation menu with 'Function Key' selected. The main content area includes:

- Function Key Settings:** A table with columns: Key, Type, Number 1, Number 2, Line, Subtype. Two rows are shown: 'DSS Key 1' (Hot Key, 8102, SIP1, Speed Dial) and 'DSS Key 2' (None, SIP1, Speed Dial).
- Advanced Settings:** 'Use Function Key to Answer' (Enable), 'Use Hot Key to Hangup' (Enable), 'Hot Key Dial Mode Select' (Main-Secondary).
- Call Switched Time:** 16 (5~50)S
- Day Start Time:** 06:00 (00:00~23:59)
- Day End Time:** 18:00 (00:00~23:59)
- An 'Apply' button at the bottom.

### Step 4: Security Settings

The screenshot shows the 'Security Settings' configuration page. On the left is a navigation menu with 'Security settings' selected. The main content area includes:

- Input Settings:** 'Input Detect' (checked), 'Trigger Mode' (Low Level Trigger(Close Trigger)), 'Alert message send to server' (checked).
- Output Settings:** 'Output Response' (checked), 'Output Level' (High Level(NC:closed)), 'Output Duration' (5 (1~600) s).
- Alert Trigger Setting:** 'Alarm Ring Duration' (5 (1~600) s), 'Input Trigger' (Disable Ring), 'Remote DTMF Trigger' (Enable Ring), 'Remote SMS Trigger' (Disable Ring), 'Call State Trigger' (Talking), 'Output Last' (By Duration), 'Trigger Code' (1234), 'Trigger Message' (ALERT=OUT1\_SOS).
- An 'Apply' button at the bottom.

The screenshot shows two configuration sections:

- Tamper Alarm Settings:** 'Tamper Alarm' (checked), 'Alarm command' (Tamper\_Alarm), 'Reset Alerting Status' (Reset), 'Reset command' (Tamper\_Reset), 'Ring Type' (Default), and an 'Apply' button.
- Server Settings:** 'Server Address' (empty), 'Send message to the server when the alarm is triggered' (red text), 'Message: Alarm\_Info:Description=Sip Door Phone;SIP User=5528;Mac=0c:38:3e:20:d0:c6;IP=172.18.3.57;port=Input1', and an 'Apply' button.

<b>Security Settings</b>	
<b>Field Name</b>	<b>Explanation</b>
<b>Input Settings</b>	
Input Detect	Enable input detection
Trigger mode	Low Level Trigger(Close Trigger),Double short circuit detection port(If it is single port, is the low level) Detection to trigger when closed.
	High Level Trigger(Disconnect Trigger),Double short circuit detection port(If it is single port, is the high level)Detection to trigger when disconnect.
Alert message send to server	When meet the input port to trigger condition, to the server sends the alarm information correspondence.
<b>Output Settings</b>	
Output Response	Enable output port detection
Output Level	Low Level(NO: always on)When meet the trigger condition, trigger the NO port disconnected.
	High Level(NC: always off )When meet the trigger condition, trigger the NC port close.
Output Duration	Define the output duration change of output port. ( 1~600S )
<b>Alert Trigger Setting</b>	
Alarm Ring Duration	Define the output duration change of output port. ( 1~600S )
Input Trigger	When the input port meet to trigger condition, the output port will trigger
Remote DTMF Trigger	By Duration : Received the terminal equipment to send the DTMF password, if correct, which triggers the corresponding output port (The Port leveltime change, By < Output Duration> control)
	By Calling State : During the call, receive the terminal equipment to send the DTMF password, if correct, which triggers the corresponding output port (The Port level time change, By call state control, after the end of the call, port to return the default state)
Remote SMS Trigger	In the remote device or server to send instructions to ALERT=[instructions], if correct, which triggers the corresponding output port
Call State Trigger	The port output continuous time synchronization and trigger state changes, including the trigger conditions: 1, call; 2, call and singing; 3, singing; three models. (for example: the call trigger output port, will be in conversation state continued to output the corresponding level)

Call State Trigger	The port output continuous time synchronization and trigger state changes, including the trigger conditions: 1, call; 2, call and singing; 3, singing; three models. (for example: the call trigger output port, will be in conversation state continued to output the corresponding level)
<b>Tamper Alarm Settings</b>	
Tamper Alarm	When the selection is enabled, the tamper detection enabled
Alarm Command	When detected someone tampering the equipment, will be sent alarm to the corresponding server
Reset Command	When the equipment receives the command of reset from server, the equipment will stop alarm
Reset Alerting Status	Directly stop the alarm from equipment in the Web page
<b>Server Settings</b>	
Server Address	Configure remote response server address(including remote response server address and tamper alarm server address)

## 7 Intercom Settings

### The broadcast terminal configuration notice

- 1) When the terminal use as broadcast, the speaker is loud, if not set mute for microphone, the AEC (echo cancellation) of equipment will be activated, which leads the sound incoherence. In order to avoid such circumstance, when the equipment turn to use as radio should be set as intercom mode, and activate the intercom mute, so as to ensure the broadcast quality.



- 2) How to improve broadcasting tone quality?

In order to obtain better broadcast quality, recommend the use of the HD (G.722) mode for broadcast.

Voice bandwidth will be by the narrow width (G.722) of 4 KHz, is extended to broadband (G.722)7 KHz, when combined with the active speaker, the effect will be better.







**Fanvil Technology Co., Ltd**

Tel: +86-755-2640-2199    Fax: +86-755-2640-2618    Email: [sales@fanvil.com](mailto:sales@fanvil.com)  
Add: 4F, Block A, Building 1#, GaoXinQi Hi-Tech Park (Phase-II), 67th District, Bao'An,  
Shenzhen, China 518101